

# WESTERN DIGITAL

C O R P O R A T I O N

## TR1863/TR1865

### Universal Asynchronous Receiver/Transmitter (UART)

FINAL

TR1863/TR1865

#### FEATURES

- SINGLE POWER SUPPLY — +5VDC
- D.C. TO 1 MHZ (64 KB) (STANDARD PART) TR1863/5
- FULL DUPLEX OR HALF DUPLEX OPERATION
- AUTOMATIC INTERNAL SYNCHRONIZATION OF DATA AND CLOCK
- AUTOMATIC START BIT GENERATION
- EXTERNALLY SELECTABLE
  - Word Length
  - Baud Rate
  - Even/Odd Parity (Receiver/Verification — Transmitter/Generation)
  - Parity Inhibit
  - One, One and One-Half, or Two Stop Bit Generation (1½ at 5 Bit Level)
- AUTOMATIC DATA RECEIVED/TRANSMITTED STATUS GENERATION
  - Transmission Complete
  - Buffer Register Transfer Complete
  - Received Data Available
  - Parity Error
  - Framing Error
  - Overrun Error
- BUFFERED RECEIVER AND TRANSMITTER REGISTERS
- THREE-STATE OUTPUTS
  - Receiver Register Outputs
  - Status Flags
- TTL COMPATIBLE
- TR1865 HAS PULL-UP RESISTORS ON ALL INPUTS

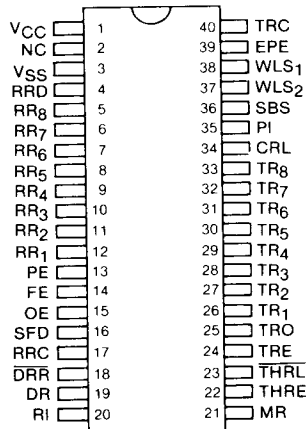
#### DESCRIPTION

The Universal Asynchronous Receiver/Transmitter (UART) is a general purpose, programmable or hardwired MOS/LSI device. The UART is used to convert parallel data to a serial data format on the transmit side, and converts a serial data format to parallel data on the receive side.

The serial format in order of transmission and reception is a start bit, followed by five to eight data bits, a parity bit (if selected) and one, one and one-half, or two stop bits.

Three types of error conditions are available on each received character: parity error, framing error (no valid stop bit) and overrun error.

The transmitter and receiver operate on external 16X clocks, where 16 clock times are equal to one bit



PIN DESIGNATION

#### APPLICATIONS

- PERIPHERALS
- TERMINALS
- MINI COMPUTERS
- FACSIMILE TRANSMISSION
- MODEMS
- CONCENTRATORS
- ASYNCHRONOUS DATA MULTIPLEXERS
- CARD AND TAPE READERS
- PRINTERS
- DATA SETS
- CONTROLLERS
- KEYBOARD ENCODERS
- REMOTE DATA ACQUISITION SYSTEMS
- ASYNCHRONOUS DATA CASSETTES

time. The receiver clock is also used to sample in the center of the serial data bits to allow for line distortion.

Both transmitter and receiver are double buffered allowing a one character time maximum between a data read or write. Independent handshake lines for receiver and transmitter are also included. All inputs and outputs are TTL compatible with three-state outputs available on the receiver, and error flags for bussing multiple devices.

## PIN DESCRIPTION

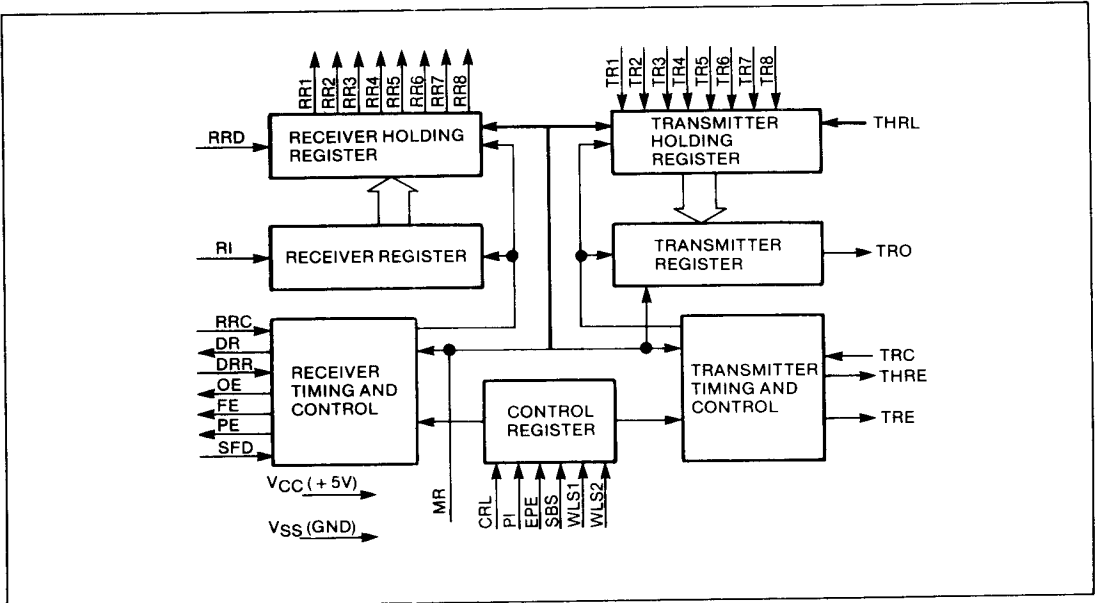
PIN NUMBER	SIGNAL MNEMONIC	SIGNAL NAME	FUNCTION
1	VCC	POWER SUPPLY	+ 5 volts supply
2	NC	NC	No Internal Connection
3	VSS	GROUND	Ground = 0V
4	RRD	RECEIVER REGISTER DISCONNECT	A high level input voltage, $V_{IH}$ , applied to this line disconnects the RECEIVER HOLDING REGISTER outputs from the RR <sub>1,8</sub> data outputs (pins 5-12).
5-12	RR <sub>8</sub> RR <sub>1</sub>	RECEIVER HOLDING REGISTER DATA	The parallel contents of the RECEIVER HOLDING REGISTER appear on these lines if a low-level input voltage, $V_{IL}$ , is applied to RRD. For character formats of fewer than eight bits received characters are right-justified with RR <sub>1</sub> (pin 12) as the least significant bit and the truncated bits are forced to a low level output voltage, $V_{OL}$ .
13	PE	PARITY ERROR	A high level output voltage, $V_{OH}$ , on this line indicates that the received parity differ from that which is programmed by the EVEN PARITY ENABLE (pin 39) and the PARITY INHIBIT (pin 35) control lines. This output is updated each time a character is transferred to the RECEIVER HOLDING REGISTER. PE lines from a number of arrays can be bussed together since an output disconnect capability is provided by Status Flag Disconnect line (pin 16).
14	FE	FRAMING ERROR	A high-level output voltage, $V_{OH}$ , on this line indicates that the received character has no valid stop bit, i.e., the bit (if programmed) is not a high level voltage. This output is updated each time a character is transferred to the Receiver Holding Register, FE lines from a number of arrays can be bussed together since an output disconnect capability is provided by the Status Flag Disconnect line (pin 16).
15	OE	OVERRUN ERROR	A high-level output voltage, $V_{OH}$ , on this line indicates that the Data Received Flag (pin 19) was not reset before the next character was transferred to the Receiver Holding Register. OE lines from a number of arrays can be bussed together since an output disconnect capability is provided by the Status Flag Disconnect line (pin 16).
16	SFD	STATUS FLAGS DISCONNECT	A high-level input voltage, $V_{IH}$ , applied to this pin disconnects the PE, FE, OE, DR and THRE allowing them to be buss connected.
17	RRC	RECEIVER REGISTER CLOCK	The receiver clock frequency is sixteen (16) times the desired receiver shift rate.
18	DRR	DATA RECEIVED RESET	A low-level input voltage, $V_{IL}$ , applied to this line resets the DR line.
19	DR	DATA RECEIVED	A high-level output voltage, $V_{OH}$ , indicates that an entire character has been received and transferred to the RECEIVER HOLDING REGISTER.

## PIN DESCRIPTION

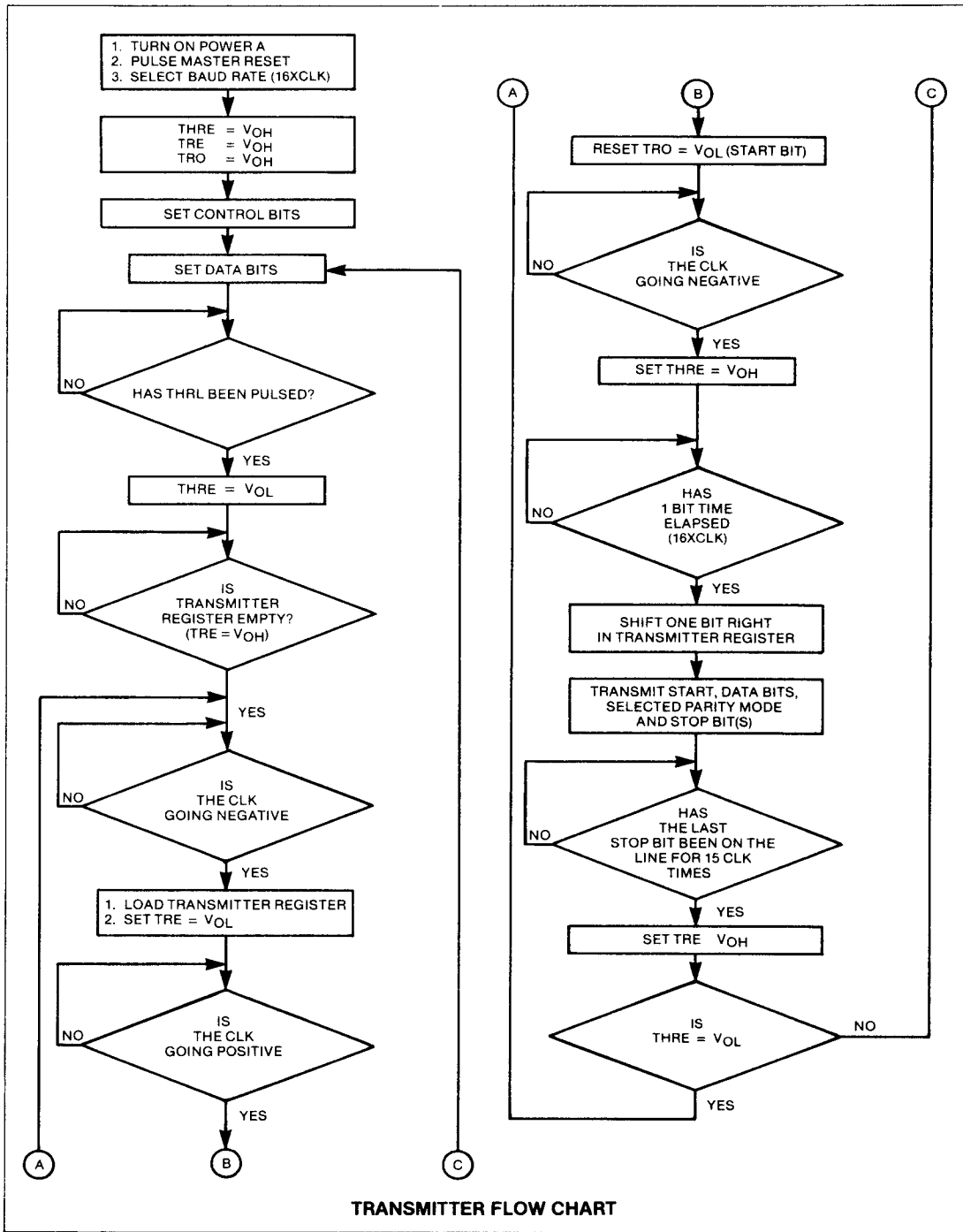
PIN NUMBER	SIGNAL MNEMONIC	SIGNAL NAME	FUNCTION
20	RI	RECEIVER INPUT	Serial input data. A high-level input voltage, $V_{IH}$ , must be present when data is not being received.
21	MR	MASTER RESET	This line is strobed to a high-level input voltage, $V_{IH}$ , to clear the logic. It resets the TRANSMITTER and RECEIVER HOLDING REGISTERS, the TRANSMITTER REGISTER, FE, OE, PE, DR and sets TRO, THRE, and TRE to a high-level output voltage, $V_{OH}$ .
22	THRE	TRANSMITTER HOLDING REGISTER EMPTY	A high-level output voltage, $V_{OH}$ , on this line indicates the TRANSMITTER HOLDING REGISTER has transferred its contents to the TRANSMITTER REGISTER and may be loaded with a new character.
23	THRL	TRANSMITTER HOLDING REGISTER LOAD	A low-level input voltage, $V_{IL}$ , applied to this line enters a character into the TRANSMITTER HOLDING REGISTER. A transition from a low-level input voltage, $V_{IL}$ , to a high-level input voltage, $V_{IH}$ , transfers the character into the TRANSMITTER REGISTER if it is not in the process of transmitting a character. If a character is being transmitted, the transfer is delayed until its transmission is completed. Upon completion, the new character is automatically transferred simultaneously with the initiation of the serial transmission of the new character.
24	TRE	TRANSMITTER REGISTER EMPTY	A high-level output voltage, $V_{OH}$ , on this line indicates that the TRANSMITTER REGISTER has completed serial transmission of a full character including STOP bit(s). It remains at this level until the start of transmission of the next character.
25	TRO	TRANSMITTER REGISTER OUTPUT	The contents of the TRANSMITTER REGISTER (START bit, DATA bits, PARITY bit, and STOP bits) are serially shifted out on this line. When no data is being transmitted, this line will remain at a high-level output voltage, $V_{OH}$ . Start of transmission is defined as the transition of the START bit from a high-level output voltage $V_{OH}$ , to a low-level output voltage $V_{OL}$ .
26-33	TR <sub>1</sub> -TR <sub>8</sub>	TRANSMITTER REGISTER DATA INPUTS	The character to be transmitted is loaded into the TRANSMITTER HOLDING REGISTER on these lines with the THRL Strobe. If a character of less than 8 bits has been selected (by WLS <sub>1</sub> and WLS <sub>2</sub> ), the character is right justified to the least significant bit, TR <sub>1</sub> , and the excess bits are disregarded. A high-level input voltage, $V_{IH}$ , will cause a high-level output voltage, $V_{OH}$ , to be transmitted.
34	CRL	CONTROL REGISTER LOAD	A high-level input voltage, $V_{IH}$ , on this line loads the CONTROL REGISTER with the control bits (WLS <sub>1</sub> , WLS <sub>2</sub> , EPE, PI, SBS). This line may be strobed or hard wired to a high-level input voltage, $V_{IH}$ .

PIN DESCRIPTION

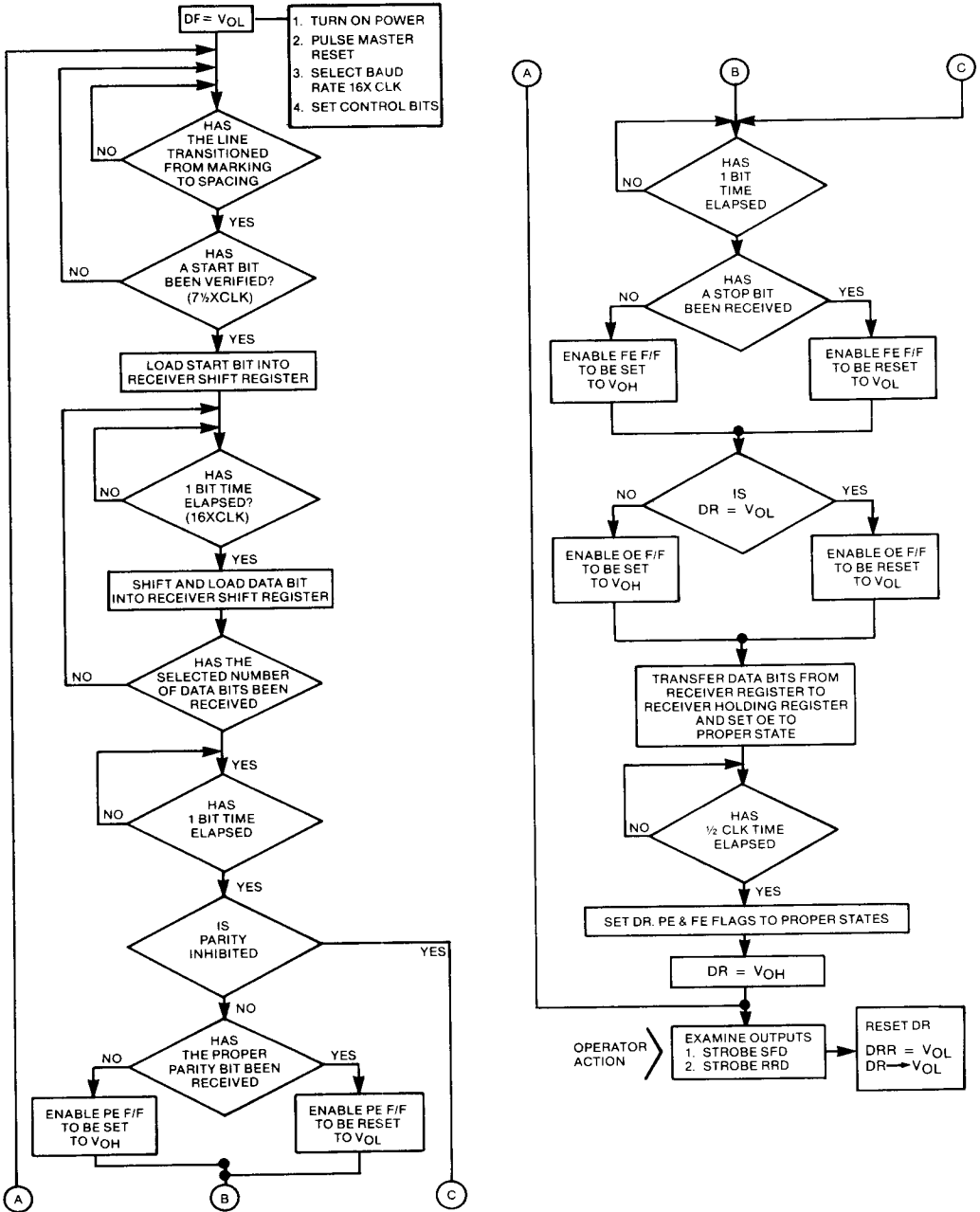
PIN NUMBER	SIGNAL MNEMONIC	SIGNAL NAME	FUNCTION															
35	PI	PARITY INHIBIT	A high-level input voltage, $V_{IH}$ , on this line inhibits the parity generation and verification circuits and will clamp the PE output (pin 13) to $V_{OL}$ . If parity is inhibited, the STOP bit(s) will immediately follow the last data bit of transmission.															
36	SBS	STOP BIT(S) SELECT	This line selects the number of STOP bits to be transmitted after the parity bit. A high-level input voltage $V_{IH}$ , on this line selects two STOP bits, and a low-level input voltage, $V_{IL}$ , selects a single STOP bit. The TR1863 and TR1865 generate 1½ stop bits when word length is 5 bits and SBS is High $V_{IH}$ .															
37-38	WLS <sub>2</sub> -WLS <sub>1</sub>	WORD LENGTH SELECT	These two lines select the character length (exclusive of parity) as follows: <table border="1" style="margin-left: auto; margin-right: auto;"> <thead> <tr> <th>WLS<sub>2</sub></th> <th>WLS<sub>1</sub></th> <th>Word Length</th> </tr> </thead> <tbody> <tr> <td><math>V_{IL}</math></td> <td><math>V_{IL}</math></td> <td>5 bits</td> </tr> <tr> <td><math>V_{IL}</math></td> <td><math>V_{IH}</math></td> <td>6 bits</td> </tr> <tr> <td><math>V_{IH}</math></td> <td><math>V_{IL}</math></td> <td>7 bits</td> </tr> <tr> <td><math>V_{IH}</math></td> <td><math>V_{IH}</math></td> <td>8 bits</td> </tr> </tbody> </table>	WLS <sub>2</sub>	WLS <sub>1</sub>	Word Length	$V_{IL}$	$V_{IL}$	5 bits	$V_{IL}$	$V_{IH}$	6 bits	$V_{IH}$	$V_{IL}$	7 bits	$V_{IH}$	$V_{IH}$	8 bits
WLS <sub>2</sub>	WLS <sub>1</sub>	Word Length																
$V_{IL}$	$V_{IL}$	5 bits																
$V_{IL}$	$V_{IH}$	6 bits																
$V_{IH}$	$V_{IL}$	7 bits																
$V_{IH}$	$V_{IH}$	8 bits																
39	EPE	EVEN PARITY ENABLE	This line determines whether even or odd PARITY is to be generated by the transmitter and checked by the receiver. A high-level input voltage, $V_{IH}$ , selects even PARITY and a low-level input voltage, $V_{IL}$ , selects odd PARITY.															
40	TRC	TRANSMITTER REGISTER	The transmitter clock frequency is sixteen (16) times the desired transmitter shift rate.															



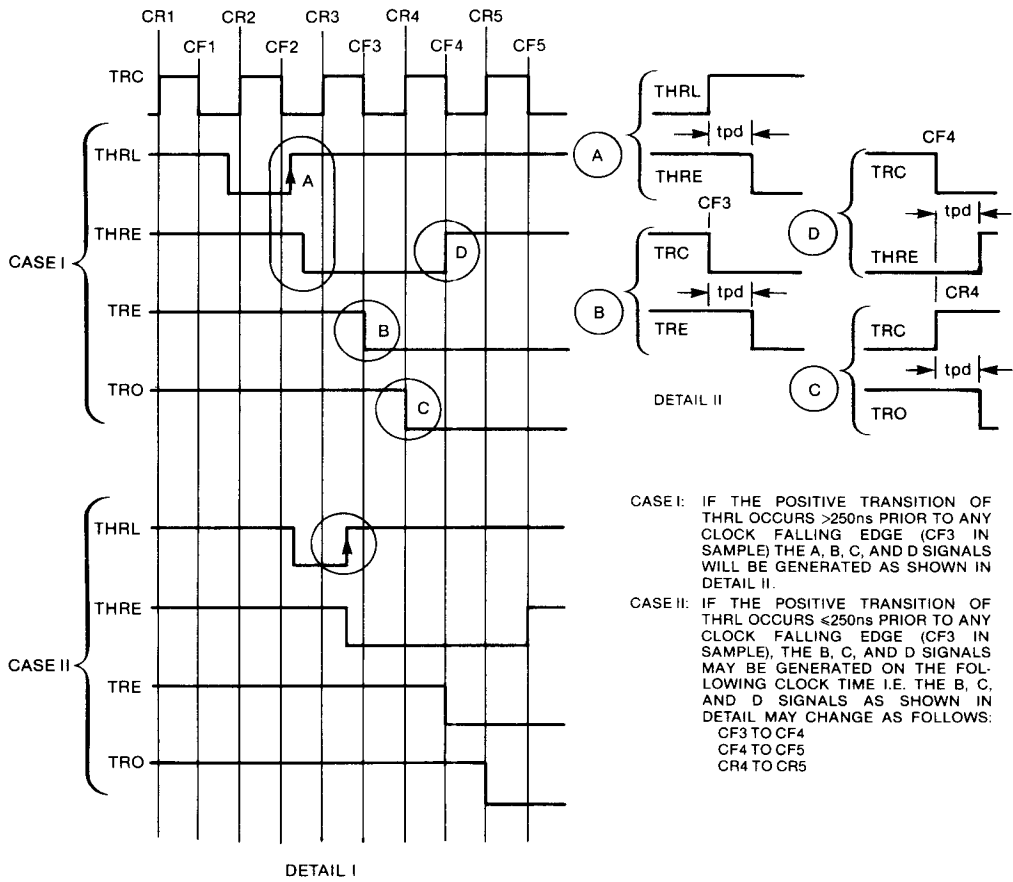
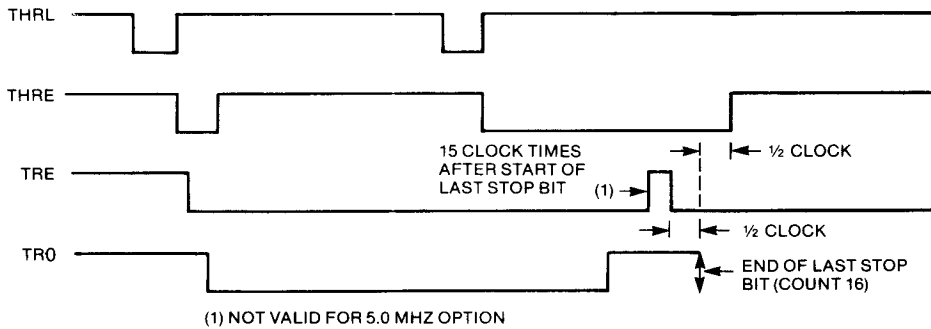
TR1863/TR1865 BLOCK DIAGRAM



TRANSMITTER FLOW CHART



RECEIVER FLOW CHART



TRANSMITTER TIMING

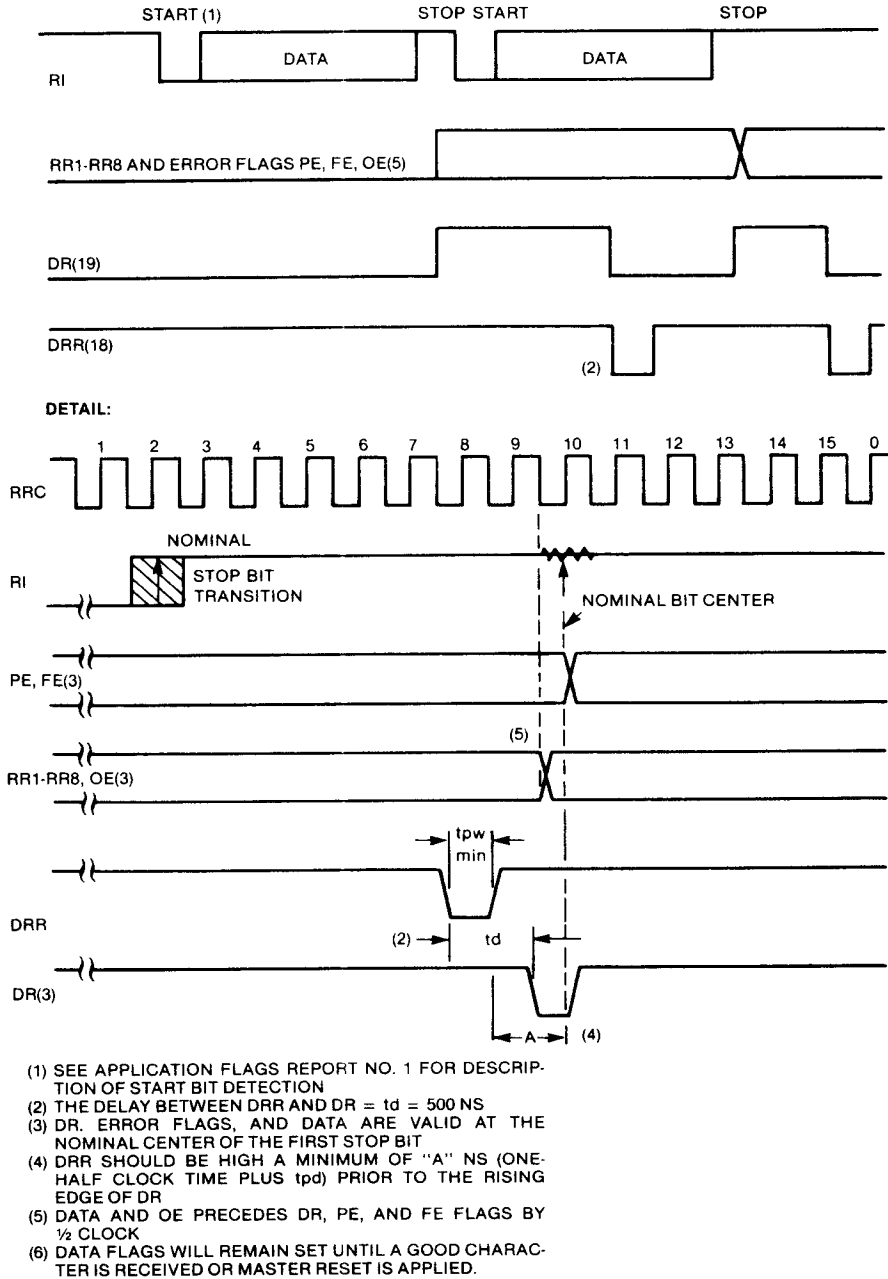


FIGURE 1. RECEIVER TIMING



**ABSOLUTE MAXIMUM RATINGS**

NOTE: These voltages are measured with respect to GND

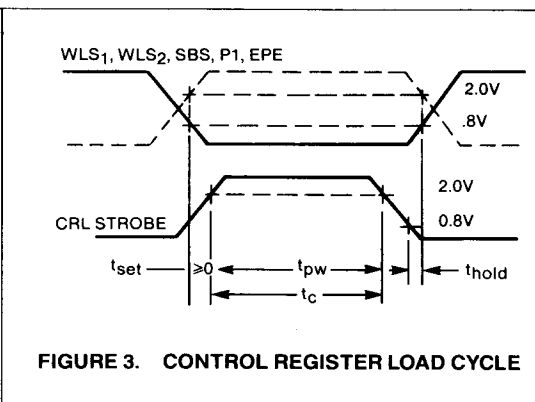
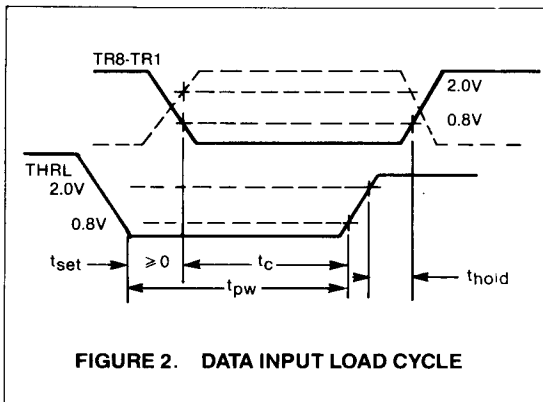
Storage Temperature

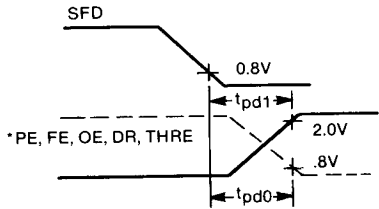
- Plastic ..... -55°C to +125°C
- Ceramic ..... -65°C to +150°C
- V<sub>CC</sub> Supply Voltage ..... -0.3V to +7.0V
- Input Voltage at any pin ..... -0.3V to +7.0V
- Operating Free-Air Temperature
- T<sub>A</sub> Range ..... 0°C to 70°C
- Lead Temperature (Soldering, 10 sec.) ..... 300°C

**ELECTRICAL CHARACTERISTICS**

(V<sub>CC</sub> = 5V ± 5%, V<sub>SS</sub> = 0V)

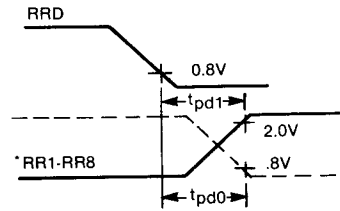
SYMBOL	PARAMETER	TR1863/5		CONDITIONS
		MIN	MAX	
I <sub>CC</sub>	Supply Current		35ma	V <sub>CC</sub> = 5.25V
V <sub>IH</sub>	LOGIC LEVELS			
V <sub>IH</sub>	Logic High	2.4V		
V <sub>IL</sub>	Logic Low		0.6V	V <sub>CC</sub> = 4.75V
V <sub>OH</sub>	OUTPUT LOGIC LEVELS			
V <sub>OH</sub>	Logic High	2.4V		V <sub>CC</sub> = 4.75V, I <sub>OH</sub> = 100 μa
V <sub>OL</sub>	Logic Low		0.4V	V <sub>CC</sub> = 5.25V, I <sub>OL</sub> = 1.6 ma
I <sub>OC</sub>	Output Leakage (High Impedance State)		± 10μa	V <sub>OUT</sub> = 0V, V <sub>OUT</sub> = 5V SFD = RRD = V <sub>IH</sub>
I <sub>IL</sub>	Low Level Input Current	100μa	1.6ma	V <sub>IN</sub> = 0.4V TR 1865 only
I <sub>IH</sub>	High Level Input Current		10μa	V <sub>IN</sub> = V <sub>IL</sub> , TR 1863 only
I <sub>IH</sub>			- 10μa	V <sub>IN</sub> = V <sub>IH</sub> , TR 1863 only





\*OUTPUTS PE, FE, OE, DR, THRE ARE DISCONNECTED AT TRANSITION OF SFD FROM 0.8V TO 2.0V.

FIGURE 4. STATUS FLAG OUTPUT DELAYS



\*RR1-RR3 ARE DISCONNECTED AT TRANSITION OF RRD FROM 0.8V TO 2.0V.

FIGURE 5. DATA OUTPUT DELAYS

**SWITCHING CHARACTERISTICS**

(See FIGURE 1-5)

SYMBOL	PARAMETER	MIN	MAX	CONDITIONS
fclk	Clock Frequency			VCC = 4.75V
	TR1863-00	DC	1.0 MHz	
	TR1863-02	DC	2.5 MHz	
	TR1863-04	DC	3.5 MHz	
	TR1865-00	DC	1.0 MHz	with internal pull-ups on all inputs
	TR1865-02	DC	2.5 MHz	with internal pull-ups on all inputs
tpw	Pulse Widths			
	CRL (Fig. 3)	200 ns		
	THRL (Fig. 2)	200 ns		
	DRR (Fig. 1)	200 ns		
tc	MR	500 ns		
	Coincidence Time	200 ns		
t <sub>hold</sub>	Hold Time (Fig. 2, 3)	20 ns		
t <sub>set</sub>	Set Time (Fig. 2, 3)	0		
OUTPUT PROPAGATION DELAYS				
tpd0	To Low State (Fig. 4, 5)		250 ns	CL = 20 pf, plus one TTL load
tpd1	To High State (Fig. 4, 5)		250 ns	
CAPACITANCE				
c <sub>in</sub>	Inputs		20 pf	f = 1 MHz, V <sub>IN</sub> = 5V
c <sub>o</sub>	Outputs		20 pf	f = 1 MHz, V <sub>IN</sub> = 5V

See page 383 for ordering information.

Information furnished by Western Digital Corporation is believed to be accurate and reliable. However, no responsibility is assumed by Western Digital Corporation for its use; nor for any infringements of patents or other rights of third parties which may result from its use. No license is granted by implication or otherwise under any patent or patent rights of Western Digital Corporation. Western Digital Corporation reserves the right to change specifications at anytime without notice.